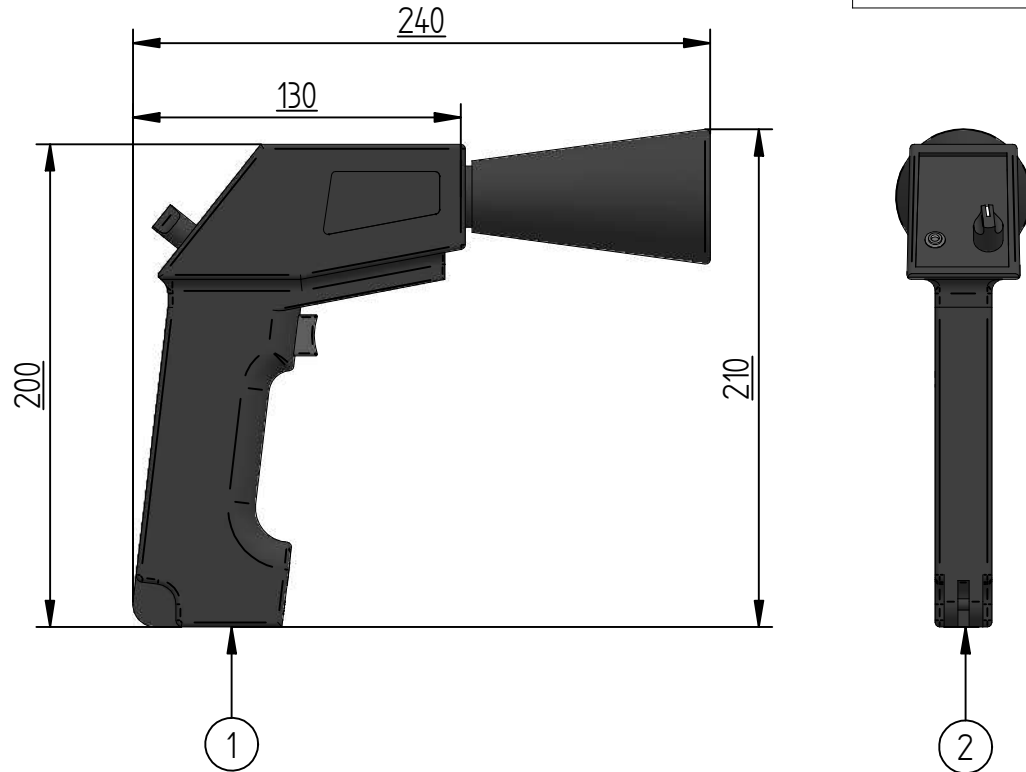


LOCATOR SPECIFICATIONS


CONSTRUCTION	HAND HELD ABS PISTOL TYPE ULTRASONIC PROCESSOR STAINLESS STEEL SENSOR ENCLOSURES
CIRCUITRY	SMT/SOLID STATE HYBRID HETERODYNE RECEIVER
FREQUENCY RESPONSE	20-100 KHz (CENTERED AT 28-24KHz)
INDICATOR	10 SEGMENT LED BAR GRAPH (RED)
SENSITIVITY SELECTION	8 PRECISION POSITIONS
POWER	9V ALKALINE BATTERY
LOW BATTERY INDICATOR	LED
HEADSET	NOISE ISOLATING TYPE: DOUBLE HEADSET WIRED MONOPHONIC. IMPEDANCE: 16 OHMS. OVER 23dB NOISE ATTENUATION.
TRANSMITTER	WARBLE TONE TRANSMISSION
RESPONSE TIME	300 MILLI SEC.
AMBIENT OPERATING TEMP.	0-50°C (32-120°F)
RELATIVE HUMIDITY	10-95%
SCANNING MODULE	STAINLESS STEEL UNISONIC (SINGLE TRANSDUCER PIEZO ELECTRIC CRYSTAL TYPE
STETHOSCOPE MODULE	STAINLESS STEEL PLUG-IN TYPE WITH STAINLESS STEEL WAVE GUIDE
RUBBER FOCUSING PROBE	CIRCULAR SHAPED, SHIELD STRAY ULTRASOUND SIGNALS, FOCUSES SIGNALS

The original of this drawing is copyright and contains confidential information. It is property of JORC Industrial without whose permission it may NOT be copied, shown or handed to a third party or otherwise used and it is to be returned promptly upon request to JORC Industrial.



2: SIDE VIEW

1: FRONT VIEW

			
DRAWN	FK	31-05-2007	
CHECKED			
JORC industrial BV Pretoriastraat 28 6413 NN, Heerlen, The Netherlands National Tel: 045 524 24 27 Fax: 045 524 19 79 International Tel +31 45 524 24 27 Fax +31 45 524 19 79			LOCATOR ARTIKEL NUMBER: 7900
SIZE	A4		REV A
All dimensions are in millimetres unless otherwise stated			
			SHEET: 1/1